

Now You Can Move It where you want & when you want.

Why mount your stylish plasma display on the wall like everyone else does, when you can use our stand to show it off, and to make it mobile, move it where and whenever you want to watch it. Our stand is easy to install and release, has flexible viewing angles and sturdy locking devices as well as can display your other high-end video/audio equipment.

So, go ahead to display your plasma display on wheels so that you can move it to your favorite viewing location. You no longer have to fix your plasma display to one location only.

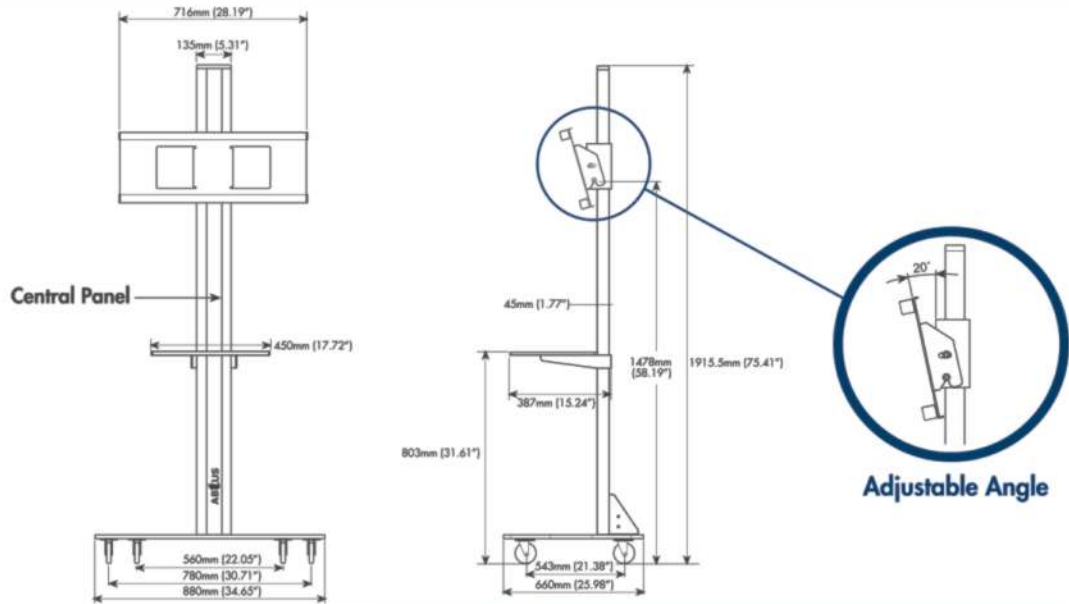
- **Stylish Design & Colour**
- **Excellent Mobility**
- **Quick and Easy Installation**
- **Flexible Viewing Adjustment**

AV383M1 (4ft) / AV383M2 (5ft) /
AV383M3 (6ft)



Plasma Display Mobile Stand

AV383M1 (4ft) / AV383M2 (5ft) / AV383M3 (6ft)



Specifications

• Base dimension (W x D x H)	: 880mm x 660mm x 108mm (35.85" x 25.98" x 4.25")
• Post height	: 1200mm (4ft), 1500 (5ft), 1800mm (6ft)
• Maximum screen height	: 1070mm (42"), 1370mm (54"), 1670mm (66")
• Load capacity	: 100kg (220 lbs)
• Nett weight (approx.)	: 60kg (132 lbs)
• Gross weight (approx.)	: 65kg (143 lbs)
• Angle adjustment	: 20° max.
• Color	: Silver / Black

Features

- Sleek and stylish Anodized Aluminum design
- Universal to wide range of plasma display
- 2" or 3" swivel castor wheels
- Adjustable display height
- Quick and easy installation
- Safe locking device
- Optional adjustable shelves for video/audio player and accessories
- Optional color inserts for central panel
- Concealed cable

*Specifications and design subject to change without prior notice.

Accessories

