

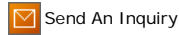
CMS-MINI

Entry-Level Digital Signage Content Management Server



CAYIN Network Digital Signage Solution
(English, Deutsch, Italiano)

CMS-MINI Datasheet



Features

Tech Specs

Enhancement

Structure

Solutions

Main Features

Efficient Management of Multiple Digital Signage Players

One CMS-MINI server can control a maximum of 40 SMP players simultaneously. Instead of configuring media players one by one, you can manage all of them at the same time via the server's web-based user interface from any existing computer.

Live Streaming Video Channels

CMS-MINI can manage 1 video signal per server and up to 64 inputs for the whole system. It can transmit streaming data to SMP players by means of LAN broadcasting, multi-casting, or uni-casting and provides the most updated, multimedia entertainment for digital signage networks.

Central Scheduling

You can edit playlists and schedule playlists in minutes on a weekly basis or schedule a one-time event for all SMP digital signage players in groups. SMP players will playback multimedia content automatically based on the schedule assigned by the CMS server.



One-Time Investment

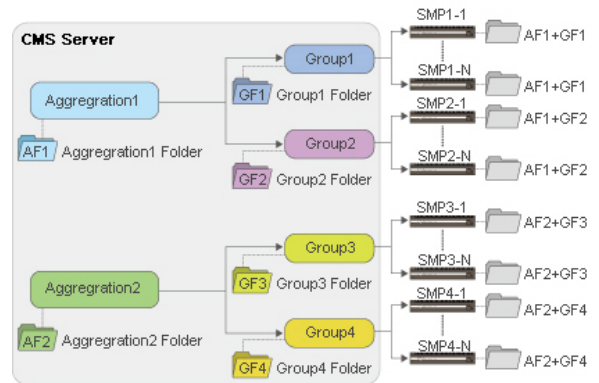
There are no extra fees or licenses for adding media players to work with the CMS server, no matter the number.

Two Ways for Content Update

Multimedia content can be updated by FTP and Network Neighborhood.

Two-Layer Group Management

Administrators can create a maximum of two-layer groups to manage all SMP digital signage players systematically. CMS server will centrally control the playlists of all media players and synchronize content automatically to all media players in groups and aggregations (two-layer groups).



Secured Decentralized Management

Administrators can create multiple user accounts and authorize each account to possess different access rights. Usernames and passwords are required to access the user interface and media folder.

Instant Alert Broadcasting

You can activate the alert mechanism and broadcast emergency messages to a particular group or to all groups. Emergency messages can be presented in many formats, such as texts, images, video, HTML, etc.



Network Digital Signage Solution

Build your own digital Out-Of-Home network



Promote • Inform • Educate • Entertain

Main Features of CAYIN's Solution

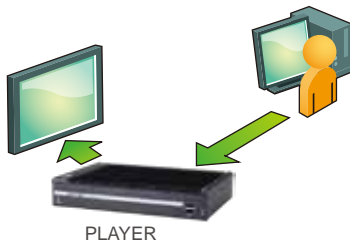
Powerful Remote Management for Small to Large-scale DOOH Network

The uniqueness of CAYIN network digital signage solution lies in its powerful remote management and scalable products which can collaborate with each other to compose versatile combinations corresponded to the requirements of each project.

Basic Level

Each SMP player can be managed individually by its web-based user interface via network.

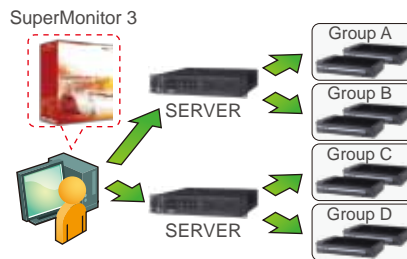
- Edit playlist and schedule directly on each SMP player
- Change system settings of each player
- Update content by USB flash drive (offline), FTP and Network Neighborhood
- Turn on/off display and adjust volume manually or by a pre-set schedule



Advanced Level

SMP players can be divided into groups and be controlled centrally by a CMS server and SuperMonitor 3 on both web-based and Windows-based user interfaces.

- Synchronize content by pre-set schedule
- Edit and schedule playlists centrally
- Monitor the functioning status
- Support alert mechanism
- Broadcast live streaming video
- Trigger emergency events
- Assign access rights to multiple users



Extended Applications

CAYIN provides sophisticated software to meet unique requirements from diversified applications.

SuperReporter 2

- Generate content playback reports and diagrams for billing and performance analysis

xPost

- Create and manage content easily for lobbies, meeting rooms, and wayfinding display



Multimedia Presentation



VIDEO

- 1080p full HD stored video
- Streaming video
- MPEG-1/2, MPEG-4 ISO, WMV 7/8/9, RAW DV, H.264



IMAGE

- JPG
- GIF
- PNG



WEB

- HTML, JavaScript, Flash
- RSS live feed

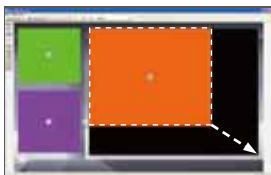


MUSIC

- MP3
- WMA
- Streaming audio

Easy & Flexible Content Creation in 2 Ways

1. **CAYIN Skin Editor:** A handy tool for users to define the size and location of each multimedia zone freely for both SMP-PRO and SMP-WEB series



2. **Any Web Page/Flash Editing Tools (SMP-WEB series):** Support to playback full-page HTML/Flash created by your own familiar editing tools, providing designers with the greatest flexibility

“CAYIN has sold its Digital Signage Solutions to more than **80** countries and regions.”



Extended Integration For Versatile Applications



Web Server & Database:

SMP-WEB series players can easily integrate with web servers and databases, such as CAYIN xPost, to fulfill unique demands of various applications.

lobbyPost:

- Guest room information
- Currency exchange rate
- Weather information
- Multimedia promotional messages

meetingPost:

- Calendar-based room booking system
- Easy content editing for meeting, banquet and event information

wayfinderPost:

- Meeting & event information
- Service facility sign and floor plan
- Room and facility direction guidance



RS-232 / LAN:

- Turn on/off screens, adjust brightness, etc.
- Switch playlists or control other devices, e.g. lamps or control panel



USB Camera:

- Easily integrate with USB cameras and other devices with UVC norm



Touch Screen:

- Easily extend to an interactive digital signage incorporated with HID touch screen



TV Tuner / DVD Player / Streaming Server (e.g. CAYIN CMS):

- Entertain people with TV programs and other real-time audio/video

CAYIN Product Portfolio

Zone-Type Digital Signage Player

SMP-PRO Series

This series is designed for applications which require displaying video, graphic, ticker, and clock. By using CAYIN Skin Editor, an intuitive, simple drag-and-drop tool, users can easily define the size and location of each zone.



SMP-PRO4

6 zones, fanless design, HD 720p video, AV-in, DVI, portrait mode



SMP-PROPLUS

7 zones, HD 720p video, 2 video zones, portrait mode

Web-Based Digital Signage Player

SMP-WEB Series

This series is designed to present advanced multimedia contents or interactive applications by HTML, JavaScript, Flash®, etc. with a limitless number of zones. For none HTML/Flash experts, CAYIN Skin Editor comes in handy to design templates to up to 8 zones. This series can also integrate existing web servers, databases and other external devices.



SMP-WEB4

fanless design, HD 720p video, AV-in, DVI, portrait mode



SMP-WEBPLUS

HD 720p video, 2 video areas, portrait mode



SMP-WEBDUO

full HD 1080p video, dual display, DVI, 2/4 video areas, portrait mode

Content Management Server

CMS Series

CMS is the dedicated digital signage server for efficient media player management, content update, central scheduling, streaming video broadcast, and access control for multiple users.



CMS-MINI

max. 1 video streaming channel, max. 30 accounts, CPU 1G Hz, 100Mbps Ethernet



CMS-PERFORMANCE

max. 8 video streaming channels, unlimited user account, CPU 2.4G Hz, 1G bps Ethernet

Advanced Management Software



SuperReporter 2

SuperReporter 2, the Windows®-based package software, helps administrators to generate playback and system status reports and diagrams for larger-scale management.



SuperMonitor 3

SuperMonitor 3, the Windows®-based package software, assists administrators in monitoring the functioning status of digital signage networks and manages multiple SMP players and CMS servers simultaneously.

Application Software



xPost

Tailored Software for Diversified Applications

xPost, the web-based software especially designed for various applications, features for its pre-designed templates and an easy-to-use platform for instant data entry. It further extends the usage of CAYIN SMP-WEB series players to meet users' requirements of frequent daily maintenance. Currently, xPost includes three main modules: [lobbyPost](#), [meetingPost](#), and [wayfinderPost](#).

* Specifications subject to change without notice. Please refer to the user manual of each product.



www.avmedia.com.sg

AV MEDIA PTE LTD

Blk 2023 #02-106 Bukit Batok Industrial Park A Street 23, Singapore 659528

Tel: (65) 6-569 2123 Fax: (65) 6-569 6589 Email: avm@avmedia.com.sg

