

No-Touch Wall Mount



The AlpsAV Patent Pending No-Touch mount is the next generation of digital signage screen mount. Effortlessly, move the screen Out, In, Stop and Reverse with the ultra-thin universal control wand. One wand controls all AlpsAV No-Touch mounts – making it quick and easy to service any screen in the display – no need to figure out which cord to pull or how to access the screen. Simply slide the control wand (0.016" / 0.4mm) below the screen and get to work. The 8-point micro-adjustment, large comfortable handwheels and high contrast white finish save you time and effort.

Patent Pending

In/Out/Stop/Reverse

No-Touch

8-point Micro-Adjust

White Finish

Impact Detection

Easy Access

- » Patent Pending No-Touch digital signage mount.
- » Move In, Out, Stop and Reverse as you choose.
- » No-Touch means no risk of damaging screen, and no fingerprints to clean.
- » 8-point Micro-Adjust using large, comfortable handwheels, no tools required.
- » White finish increases contrast and visibility for faster and easier installations.
- » Impact detection for additional safety.
- » Redundant back-up release for extreme reliability.

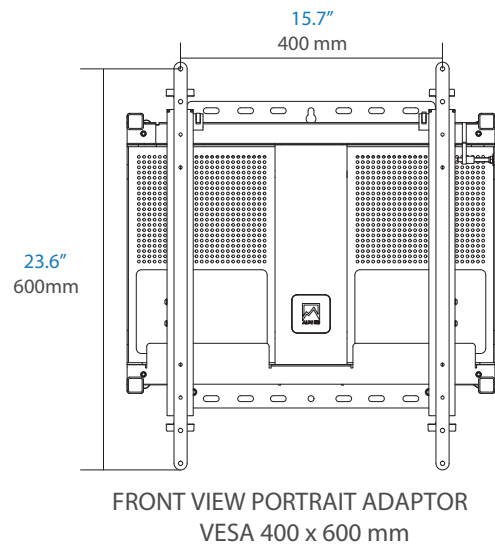
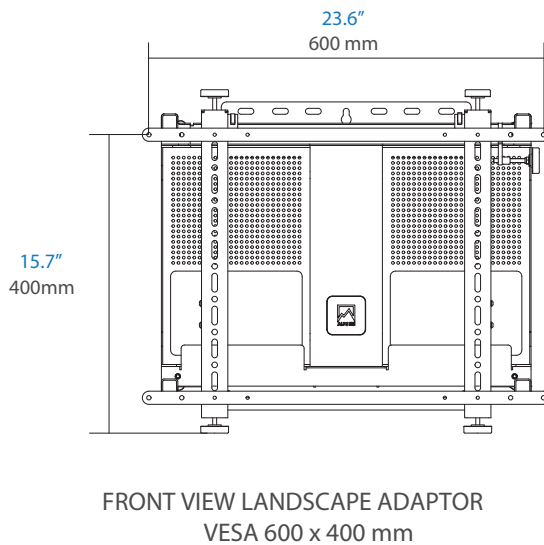
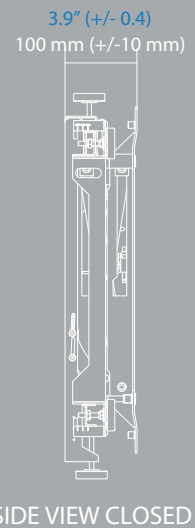
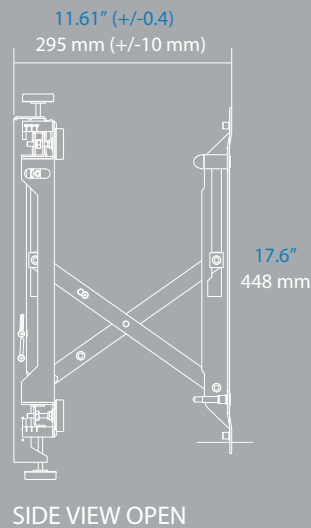
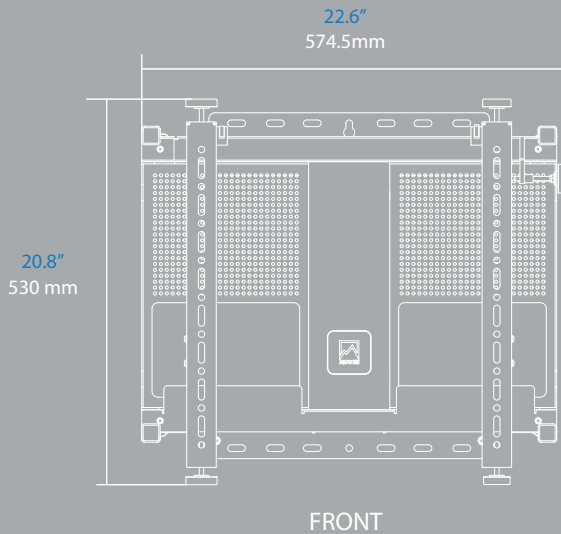
- » Central column design makes side access open and easy, increasing available wall space.
- » Simply power-off to lock in position.
- » Portrait or Landscape orientation.
- » All screen mounting hardware and spacers included.
- » Cable ties and perforated mounting plate included.
- » VESA 600 x 400 mm (P) or 400 x 600 mm (L) adaptor included.
- » 46" screens and larger up to 40kg/88lb.



RoHS
2002/95/EC



No-Touch Wall Mount



Model Number: AV01

Product Specifications:

Dimensions (WxHxD): 22.6"x20.8"x3.8"
574.5x530x97.5mm

Product weight: 14kg/30.8lb

Load capacity: 40kg/88lb

Finish: Powder Coat

Colour: White/Blue

Package Specifications:

Package size (WxHxD): 26"x26"x4.75"
650x650x120mm

Package ship weight: 16kg/35lb

Package content: 1 No-Touch Mount

Units in Package: 1 each

AVMEDIA Pte Ltd

Blk 2023 #02-106 Bukit Batok Industrial Park A Street 23, Singapore 659528
Tel: (65) 6569 2123 Fax: (65) 6569 6589 E-mail: avm@avmedia.com.sg



www.avmedia.com.sg